



Surgical Drains and Markers

High-quality disposable operating room products for wound drainage and pre-operative marking.



SQUEEZE-MARK® II Surgical Skin Markers

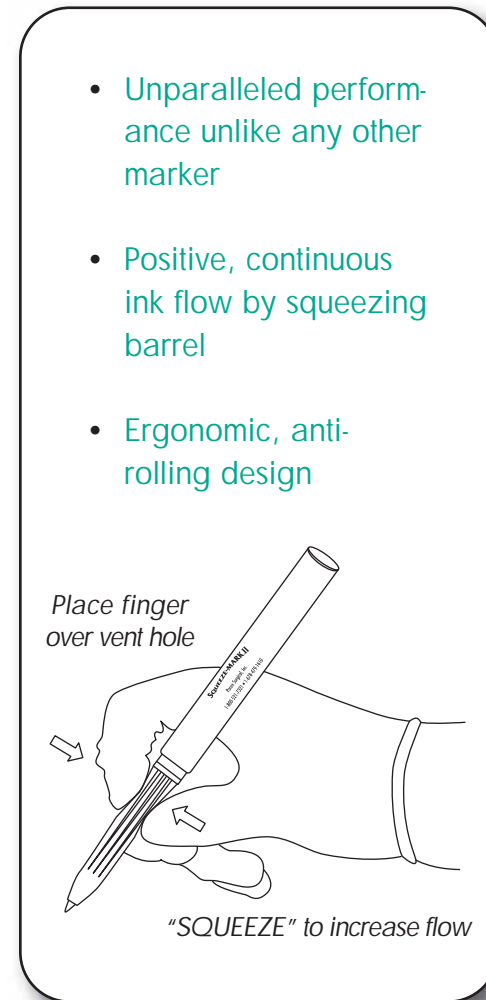


The SQUEEZE-MARK® II Surgical Skin Marker is available in highly visible, scrub-resistant, gentian violet ink in both regular and micro tips. The unique, patented, squeezable barrel provides positive and continuous ink flow that allows marking over wet or prepped surfaces. The anti-rolling, ergonomic design combined with the squeezable barrel, makes SQUEEZE-MARK II a popular choice among healthcare professionals.

All SQUEEZE-MARK II Surgical Skin Markers are provided sterile and packaged individually with a separate flexible ruler or adhesive ruler/labels.

Customized Surgical Marker capabilities are available. Please call for a quote.

CAT#	DESCRIPTION
9550	Regular Tip with Ruler/Ruler Labels, STERILE, 100/Case, 600/Case
9560	Micro Tip with Ruler/Ruler Labels, STERILE, 100/Case, 600/Case



- Unparalleled performance unlike any other marker
- Positive, continuous ink flow by squeezing barrel
- Ergonomic, anti-rolling design

POREX
SURGICAL PRODUCTS GROUP

Porex Surgical, Inc.
15 Dart Road, Newnan, GA 30265-1017 USA
Email: surgical.info@porex.com
Telephone: 1-678-479-1610 • 1-800-521-7321
Fax: 1-678-423-1435
www.porexurgical.com

Porex Surgical GmbH
Balanstrasse 55
81541 München, Germany
Email: surgical.info2@porexurgical.com
Telephone: +49 (89) 232415-0
Fax: +49 (89) 232415-15
www.porexurgical.de

© 2009 Porex Surgical, Inc. TLS, QUINTUBE and SQUEEZE-MARK are registered trademarks of Porex Surgical, Inc.; SPG and TLS are trademarks of Porex Surgical, Inc. The POREX SURGICAL service mark is owned by or used under the license and authority of Porex Corporation. SPG-1265-091809-03

POREX
SURGICAL PRODUCTS GROUP

Surgical Drains and Markers

High-quality disposable operating room products for wound drainage and pre-operative marking.





Drainage Systems for Facial, Chest, Abdominal and Extremity Procedures

Porex Surgical's TLS® and SPG™ Lines Continue the 30-Year History of Post-Surgical Drain Options for Aesthetic and Reconstructive Procedures.

Ideal Kits for Hospital and Outpatient Surgical Centers

The TLS® Surgical Drainage System and the SPG™ Bulb Drainage System are sold in sterile, convenient, complete kits consisting of a reservoir, catheter, and trocar. Both systems incorporate small diameter silicone catheters and low profile trocars. The systems provide positive suction drainage of fluid and tissue debris without reliance on gravity, which may reduce post-operative complications and decrease patient healing time related to fluid. The two systems permit accurate measurement and analysis of drainage fluids for optimal monitoring of both the wound and the patient.



- Multiple Reservoir Options
- Simplify Ordering and Inventory Costs
- Maximize Shelf Space with Convenient Kits

1. TLS® Surgical Drainage System

For surgeries of the cranial region, extremities, and other small fluid volume procedures, including pediatric surgeries, the compact design of the TLS Surgical Drainage System:

- Can be incorporated into the wound dressing
- Provides convenient and effective closed suction drainage
- Utilizes standard, 15cc evacuated blood collection tubes as reservoirs
- Is packaged sterile in a convenient tray
- Contains a radiopaque silicone catheter, trocar, protective housing, connecting adapter, and two 15cc evacuated tubes

CAT# DESCRIPTION

Kit contains: 1 Catheter, 1 Trocar, and 2 Evacuated Tubes

6640	7 FR, STERILE
6650	10 FR, STERILE
6656	4mm Flat w/Center Holes, 15cc Tubes, STERILE
6660	4mm Flat with Side Holes, STERILE
89059	4mm Flat Channel, 15cc Tubes, STERILE

QUINTUBE® Monitor Pack

The QUINTUBE® Monitor Pack, consisting of five evacuated tubes for purposes of monitoring drainage volume and color over time, is available as replacement reservoirs for the TLS Surgical Drainage System.

CAT# DESCRIPTION

6630	QUINTUBE Monitor Pack, 5 Evacuated Tubes/Pack, 24 Packs/Case
------	--



2. SPG™ Bulb Drainage System

For procedures requiring an economical small- to mid-range reservoir, the SPG Bulb Drainage Kit provides convenient options for plastic, aesthetic and reconstructive surgical procedures in the abdominal, chest and buttock regions. The bulb drainage systems:

- Provide gentle suction and prohibit reverse flow by relying on a 100cc silicone bulb reservoir with an anti-reflux valve for constant, steady evacuation of post-operative fluids
- Simplify ordering and reduce inventory carrying costs by providing economically priced, conveniently packaged, high quality disposable products for wound drainage
- Are packaged sterile
- Contain a radiopaque silicone catheter, trocar, and reservoir

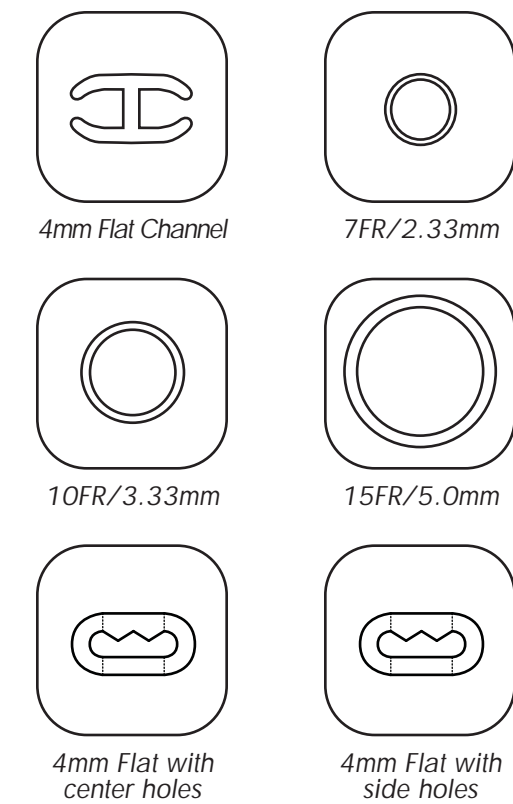
CAT# DESCRIPTION

Kit Contains: 1 Catheter, 1 Trocar, and 1 Reservoir

89055	4mm Flat Channel, 100cc Bulb, STERILE
6646	15 FR, Round, 100cc Bulb, STERILE
6647	4mm Flat w/Side Holes, 100cc Bulb, STERILE
6648	10FR, Round, 100cc Bulb, STERILE
6649	4mm Flat w/Center Holes, 100cc Bulb, STERILE

Individual Components

6644	Trocar, 15 FR x 5"
6653	Catheter, 15 FR
6654	100 cc Silicone Bulb Reservoir, STERILE



All illustrations are shown at 400%.



1 = TLS Surgical Drainage System
2 = SPG Bulb Drainage System