

Surgical Drains

High-quality disposable operating room products for wound drainage.

TLS® Surgical Drainage System

For surgeries of the craniofacial region, extremities, and other small fluid volume procedures, including pediatric surgeries, the compact design of the TLS Surgical Drainage System:

- Can be incorporated into the wound dressing
- Provides convenient and effective closed suction drainage
- Utilizes standard, 15cc evacuated blood collection tubes as reservoirs
- Is packaged sterile in a convenient tray
- Contains a radiopaque silicone catheter, trocar, protective housing, connecting adapter, and two 15cc evacuated tubes



CAT# DESCRIPTION

Kit contains: 1 Catheter, 1 Trocar, 2 Evacuated Tubes and a Protective Housing

6640	7 FR, STERILE
6650	10 FR, STERILE
6660	4mm Flat with Side Holes, STERILE
89059	4mm Flat Channel, 15cc Tubes, STERILE



QUINTUBE® Monitor Pack

The QUINTUBE® Monitor Pack, consisting of five evacuated tubes for purposes of monitoring drainage volume and color over time, is available as replacement reservoirs for the TLS Surgical Drainage System.

CAT# DESCRIPTION

6630	QUINTUBE Monitor Pack, 5 Evacuated Tubes/ Pack, 24 Packs/Case
------	---



SPG™ Bulb Drainage System

For procedures requiring an economical small- to mid-range reservoir, the SPG Bulb Drainage Kit provides convenient options for plastic, aesthetic and reconstructive surgical procedures in the abdominal, chest and buttock regions. The bulb drainage systems:

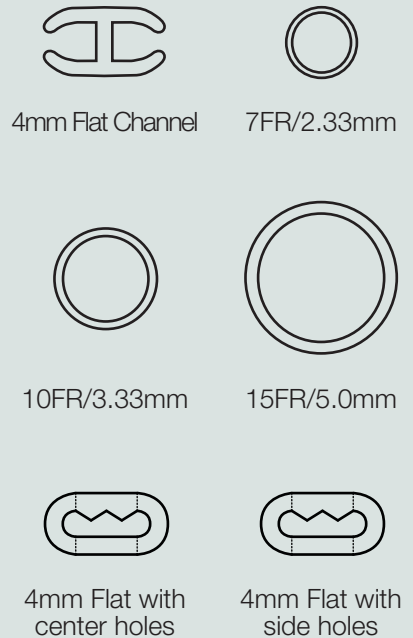
- Provide gentle suction and prohibit reverse flow by relying on a 100cc silicone bulb reservoir with an anti-reflux valve for constant, steady evacuation of post-operative fluids
- Simplify ordering and reduce inventory carrying costs by providing economically priced, conveniently packaged, high quality disposable products for wound drainage
- Are packaged sterile
- Contain a radiopaque silicone catheter, trocar, and reservoir



CAT# DESCRIPTION

Kit Contains: 1 Catheter, 1 Trocar, and 1 Reservoir

89055	4mm Flat Channel, 100cc Bulb, STERILE
6646	15 FR, Round, 100cc Bulb, STERILE
6647	4mm Flat w/Side Holes, 100cc Bulb, STERILE
6648	10FR, Round, 100cc Bulb, STERILE
6649	4mm Flat w/Center Holes, 100cc Bulb, STERILE



All illustrations are shown at 400%.

stryker®

Stryker Craniomaxillofacial

Kalamazoo, MI 49002 USA
 Telephone: 1-269-324-5346
 1-800-962-6558
 Fax: 1-877-648-7114

Stryker France

ZAC Satolas Green Pusignan
 Av de Satolas Green
 69881 MEYZIEU Cedex, FRANCE

www.stryker.com

Copyright © 2011 Stryker. Printed in USA.

Stryker Corporation or its divisions or other corporate affiliated entities own, use or have applied for the following trademarks or service marks: **MEDPOR, TLS, SPG, QUINTUBE** and **Stryker**. All other trademarks are trademarks of their respective owners or holders.

Literature Number: xxxx-xxx-xxx Rev. None